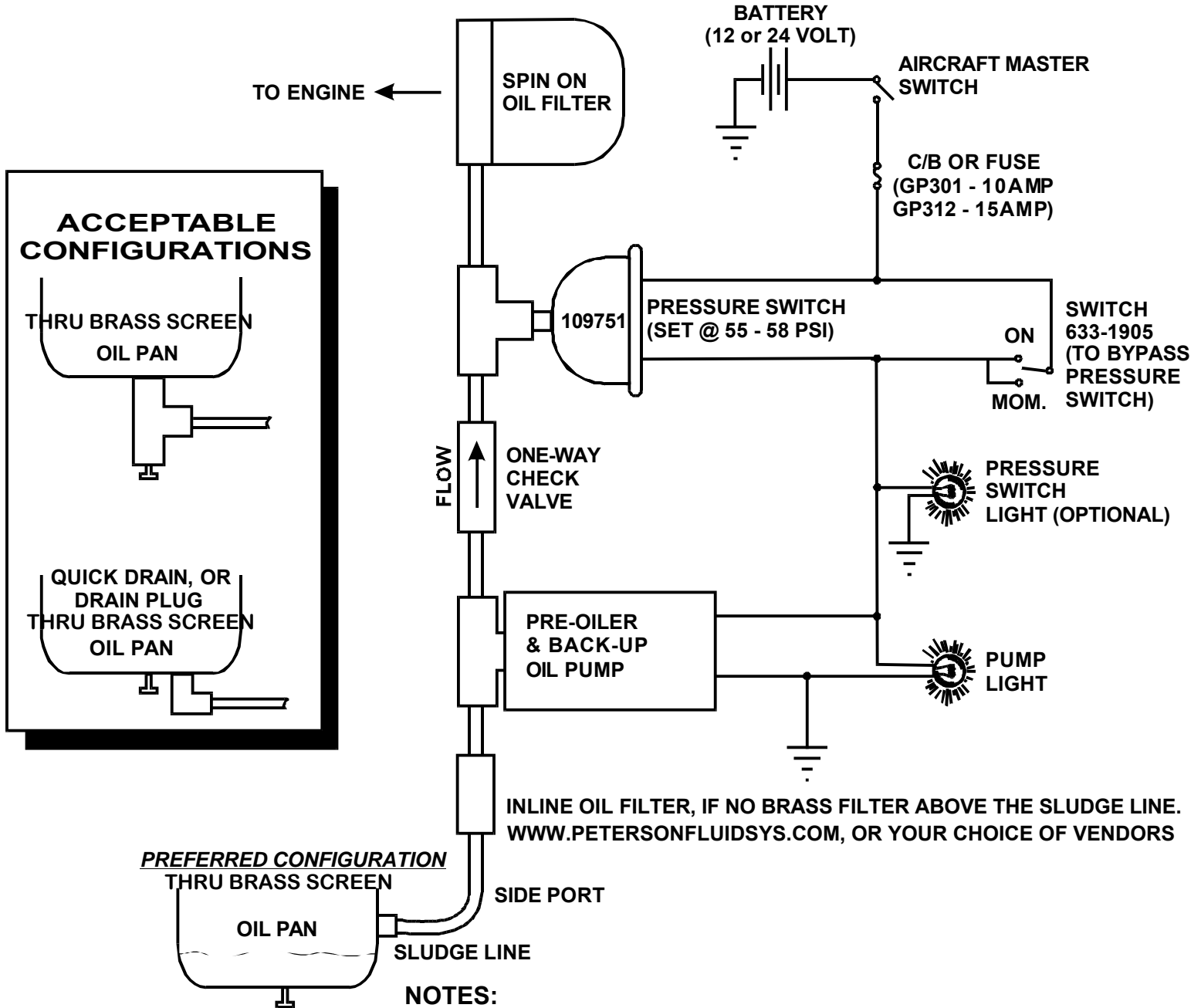


# PRE-OILER AND BACKUP OIL PUMP CONNECTION DIAGRAM



## NOTES:

1. USE 1/2" I.D. LINES AND HOSES. 3/8" I.D. IS ACCEPTABLE FOR VERY SHORT DISTANCES
2. ONE-WAY 1/2" I.D. CHECK VALVE MAY BE OBTAINED FROM WWW.STRATAFLO.COM, WWW.EPRESSHOSEANDFITTINGS.COM, WWW.KEPNER.COM, NAPA, OR YOUR CHOICE OF VENDORS.
3. USE A 6F5GG7F99B FILTER IN THE OIL PAN PRIOR TO THE PREOILER.
4. WHILE YOU CAN MOUNT THE PUMP HORIZONTALLY, VERTICALLY WITH THE PUMP DOWN IS THE PREFERRED WAY.