

6

5

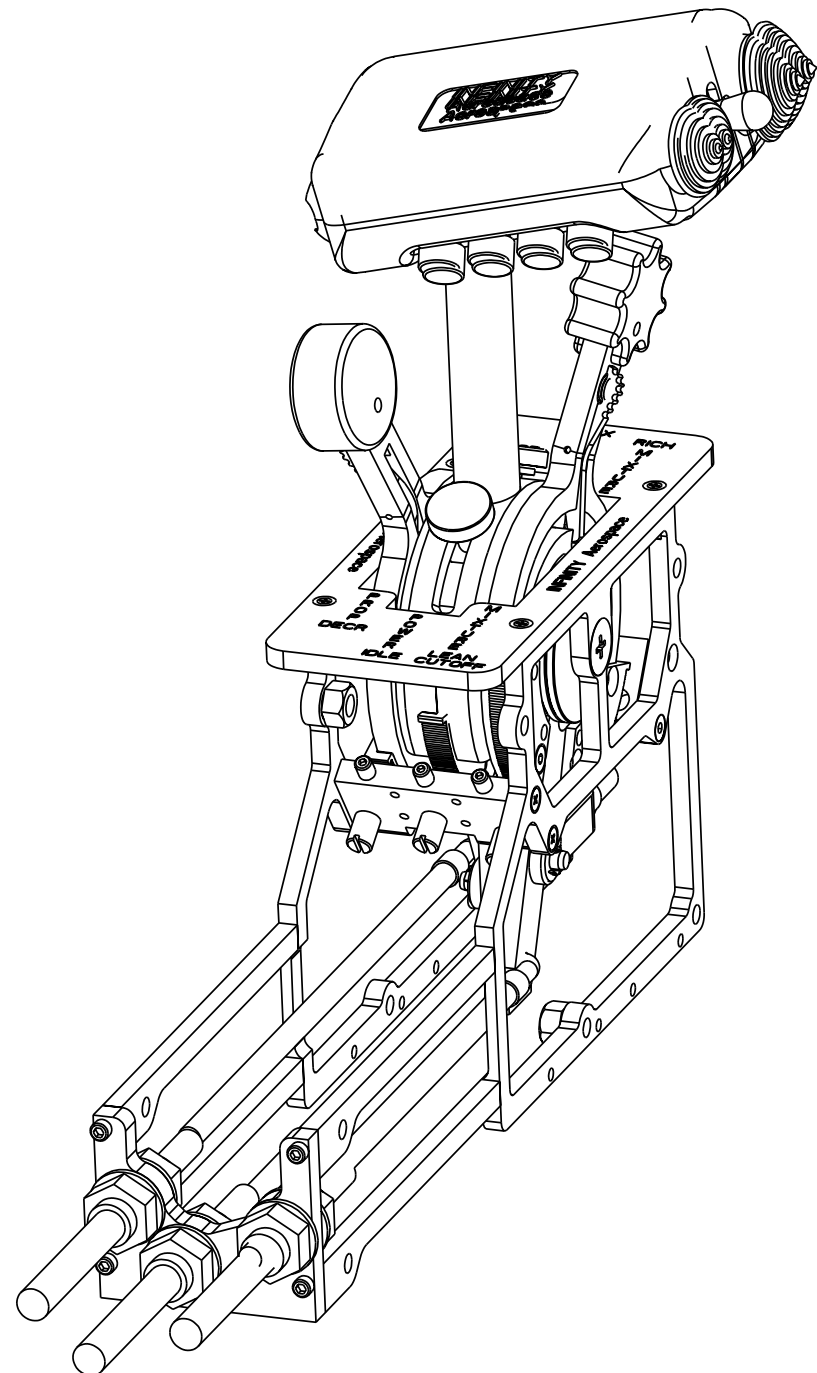
4

3

2

1

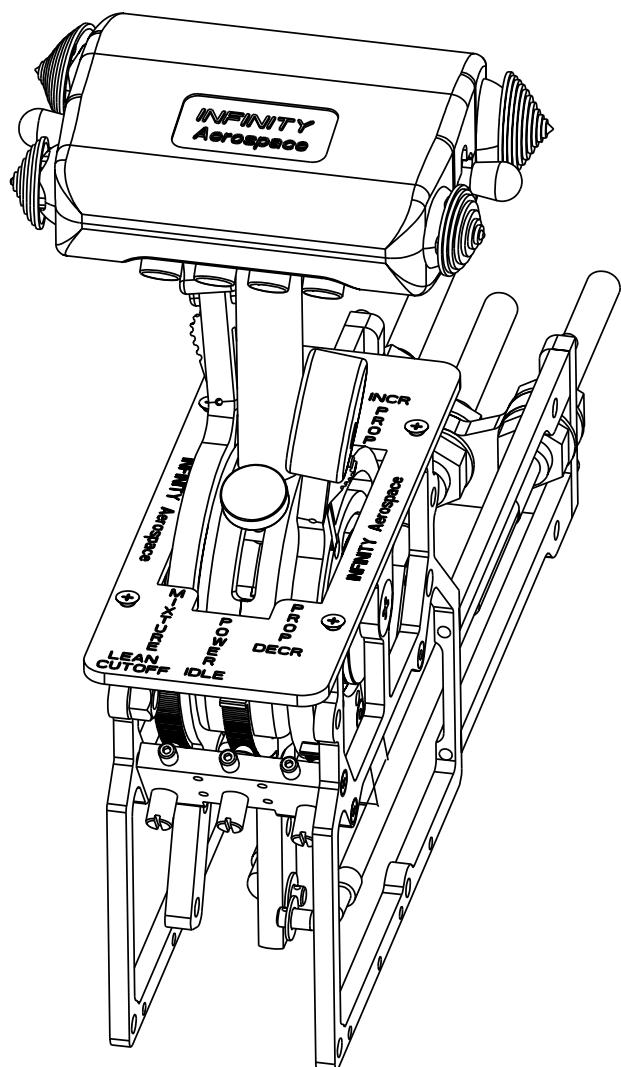
REV	DESCRIPTION	ECO#	DATE
4	UPDATED ASSY'S	JHM	
5	UPDATED ASSY'S	JHM	
6	UPDATED ASSY'S	JHM	12 JUN 04
7	UPDATED ASSY'S	JHM	26 SEP 04



LEFT QUADRANT

W/ FORWARD TANDEM RODS & AFT CABLECRAFT CONTROL CABLES

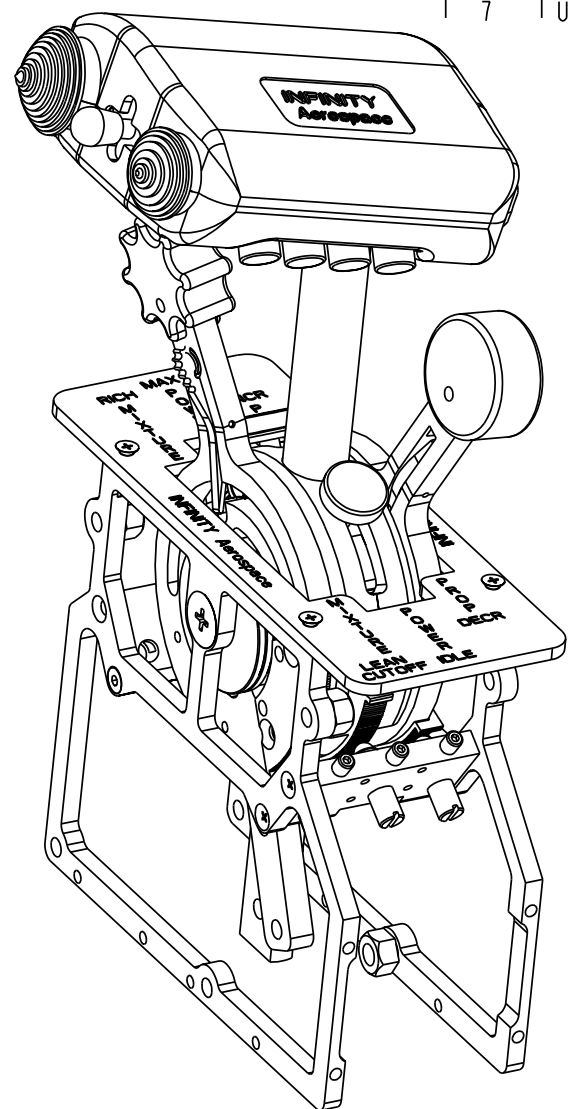
THIS IS A TYPICAL TANDEM QUADRANT FOR PUSHERS



CENTER QUADRANT

W/ FORWARD CABLECRAFT CONTROL CABLES

THIS IS A TYPICAL SIDE BY SIDE TRACTOR QUADRANT



RIGHT QUADRANT

PUSH/PULL TUBES & CABLECRAFT CONTROL CABLES, NOT SHOWN

TOLERANCES (EXCEPT AS NOTED)		INFINITY Aerospace 1750 JOE CROSSON DRIVE, #D-2, EL CAJON, CA 92020 Phone (619) 448-5103 Fax (619) 448-5176		
DO NOT SCALE				
ANGLES +/- 1°		DRAWN J.H. Monti	SCALE 0.550:1	MATL N/A
FRAC +/- 1/32		CHKD J.D. Newman	DATE 20 JUL 02	FINISH N/A
.XX +/- .01		APPD		CAD SOFTWARE PRO-E
.XXX +/- .005		TITLE		DRAWING NO.
		THREE VERSION ISOS		---
		MODEL FILE		SHEET 1 OF 1
		4-SIDE-LFT-CTR		
THE DRAWINGS AND INFORMATION CONTAINED HEREIN IS OWNED SOLELY BY INFINITY Aerospace. ANY COPYING OR OTHER USE OF THE INFORMATION WITHOUT INFINITY Aerospace's WRITTEN AUTHORIZATION IS STRICTLY PROHIBITED. CONFIDENTIAL / COMPANY PROPRIETARY				

6

5

4

3

2

1